

AXOR Montreux Hand shower 100 1jet

Surfaces: **Chrome** Article Number: **16320000**



Description

product features

- shower head size: 100 mm
- spray type: RainAir
- flow rate at 3 bar: 16 l/min
- metal cover
- rinseable dirt filter
- connection thread G 1/2
- connection dimension: DN15
- suitable for rim-/ tile-mounted mixers

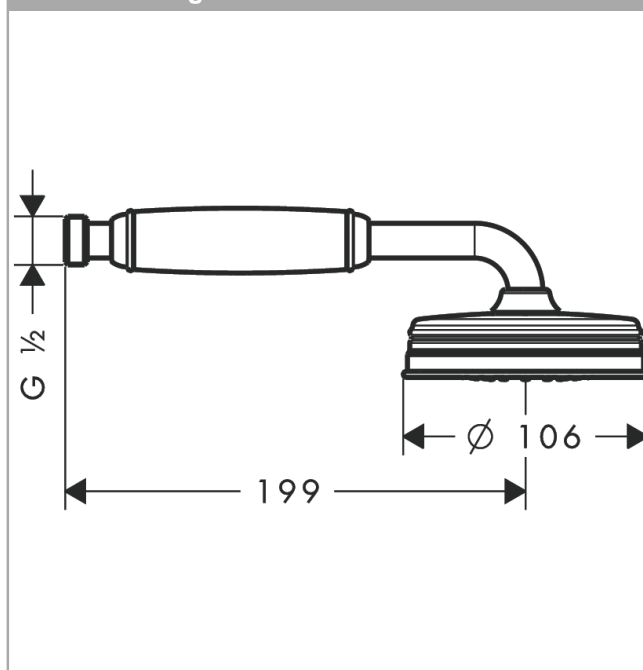
Technology



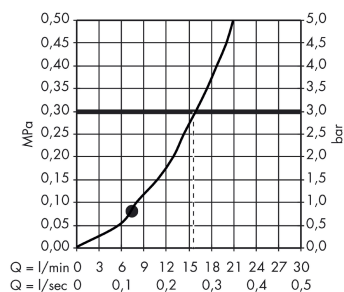
Product image



Scale drawing



Flowchart



The consumption was measured in combination with the appropriate fittings (thermosta/mixer/ in-wall valve) to reflect actual application in practice.